



Up-to-date Questions and Answers from authentic resources to improve knowledge and pass the exam at very first attempt. ---- Guaranteed.



NS0-175 MCQs
NS0-175 TestPrep
NS0-175 Study Guide
NS0-175 Practice Test
NS0-175 Exam Questions



Network-Appliance

NS0-175

Cisco and NetApp FlexPod Design Specialist



Question: 168

What software program manages a NetApp storage controller with Data ONTAP 8.1 or later?

- A . FilerView
- B . OnCommand System Manager
- C . UCS Manager
- D . Web Browser

Answer: B

Question: 169

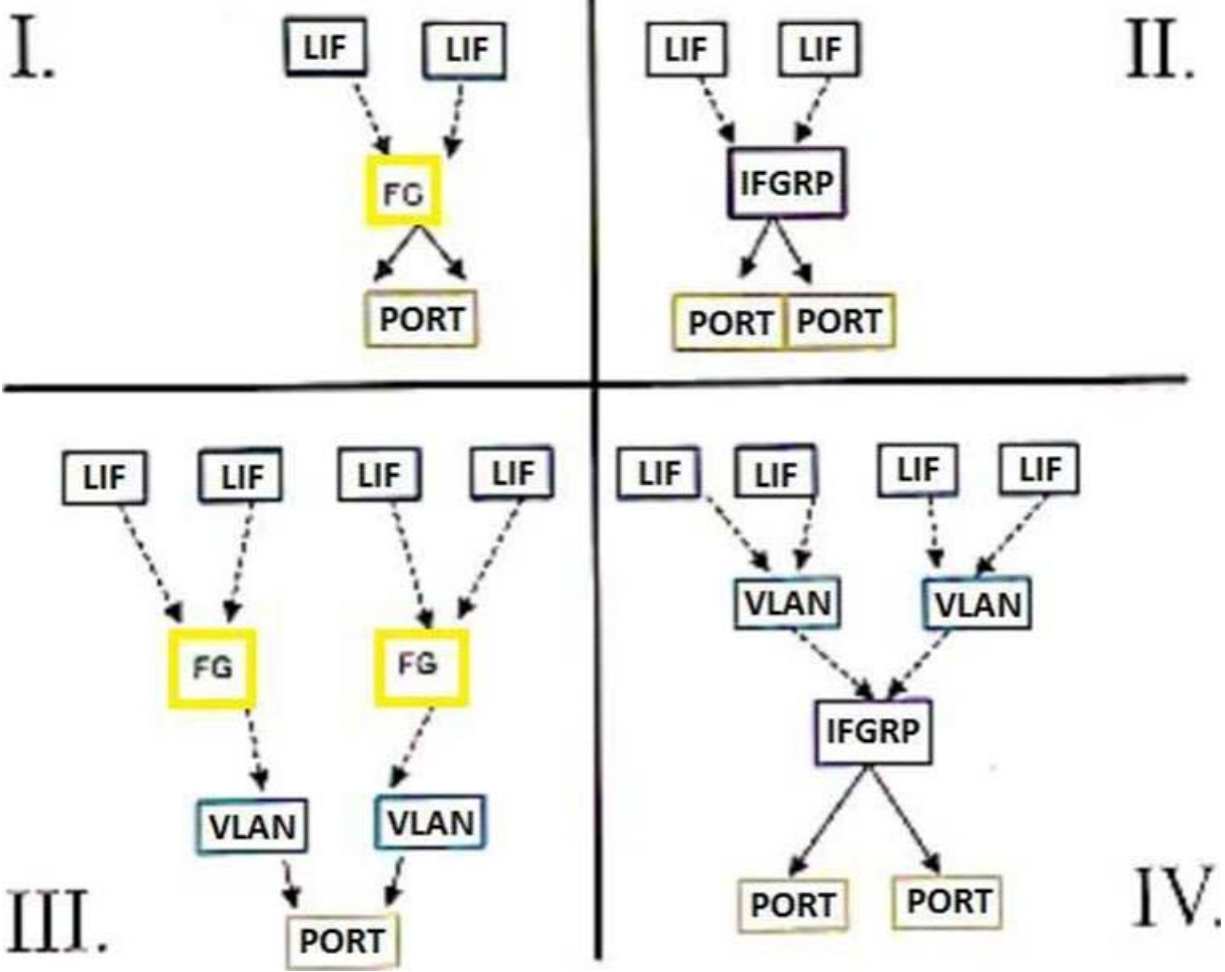
Which of the following commands are used for running automated diagnostic analysis routines?

- A . diag list
- B . diag dump
- C . netstat -d
- D . ifstat -a

Answer: B

Question: 170

View the Exhibit.



A customer wants to ensure that FlexPod Datacenter connections to the storage layer are highly available.

Which two configurations shown in the exhibit satisfy the customer's requirements? (Choose two.)

- A . IV
- B . II
- C . I
- D . III

Answer: D

Question: 171

The correct manner in which to open a Network Appliance support ticket is to ____ at the NOW site?

- A . Submit a RMA
- B . Submit a support ticket
- C . Submit a Case
- D . Submit a BURT

Answer: C

Question: 172

Network Appliance field alerts _____ and _____.

- A . are available at “www.netapp.com”
- B . may be received via email
- C . are available at “now.netapp.com”
- D . replace autosupport

Answer: BC

Question: 173

In which of the following sites can a complete list of Network Appliance support centers be found?

- A . now.netapp.com
- B . www.netapp.com
- C . ftp.netapp.com
- D . NetCache online help

Answer: A

Question: 174

Which two features are supported in both Nexus 7000 and Nexus 9000 switches? (Choose two.)

- A . Overlay Transport Virtualization (OTV)
- B . Virtual Device Contexts (VDC)
- C . Virtual Extensible LAN (VXLAN)
- D . Virtual Port Channels (vPC)

Answer: AC

Question: 175

Which of the following tools is designed to inventory existing VMware vSphere, Linux, and Microsoft Windows Server versions in a customer environment?

- A . Cisco UCS Sizer for Enterprise Applications
- B . Cisco UCS Central
- C . Microsoft Assessment and Planning (MAP) Toolkit
- D . Cisco Resource Comparison Tool

Answer: C

Question: 176

A customer wants to deploy a FlexPod solution that involves directly connecting the NetApp AFF storage using the FCoE protocol to the Cisco UCS Fabric Interconnects.

In this scenario, which Cisco UCS Fibre Channel mode would be used to accomplish this task?

- A . trunk mode

- B . end host mode
- C . switching mode
- D . access mode

Answer: C

Question: 177

All of the following are supported interface types EXCEPT _____.

- A . ATM
- B . Gigabit Ethernet, copper
- C . 10/100 Ethernet
- D . Gigabit Ethernet, fiber

Answer: A

Question: 178

To add a user to the appliance database, you must enter the _____ and the _____.

- A . user name
- B . access permissions
- C . password
- D . group

Answer: AB

Question: 179

Which two types of Cisco UCS servers are available to be used with a FlexPod Express deployment? (Choose two.)

- A . Cisco UCS C-Series
- B . Cisco UCS B-Series
- C . Cisco UCS E-Series
- D . Cisco UCS S-Series

Answer: AB

Question: 180

An ACI customer would like to enable devices from one Endpoint Group to talk to another Endpoint Group.

Which ACI construct is required to enable this capability?

- A . Endpoint
- B . Bridge Domain
- C . Application Profile
- D . Contract

Answer: D

Killexams.com is a leading online platform specializing in high-quality certification exam preparation. Offering a robust suite of tools, including MCQs, practice tests, and advanced test engines, Killexams.com empowers candidates to excel in their certification exams. Discover the key features that make Killexams.com the go-to choice for exam success.



Exam Questions:

Killexams.com provides exam questions that are experienced in test centers. These questions are updated regularly to ensure they are up-to-date and relevant to the latest exam syllabus. By studying these questions, candidates can familiarize themselves with the content and format of the real exam.

Exam MCQs:

Killexams.com offers exam MCQs in PDF format. These questions contain a comprehensive collection of questions and answers that cover the exam topics. By using these MCQs, candidate can enhance their knowledge and improve their chances of success in the certification exam.

Practice Test:

Killexams.com provides practice test through their desktop test engine and online test engine. These practice tests simulate the real exam environment and help candidates assess their readiness for the actual exam. The practice test cover a wide range of questions and enable candidates to identify their strengths and weaknesses.

Guaranteed Success:

Killexams.com offers a success guarantee with the exam MCQs. Killexams claim that by using this materials, candidates will pass their exams on the first attempt or they will get refund for the purchase price. This guarantee provides assurance and confidence to individuals preparing for certification exam.

Updated Contents:

Killexams.com regularly updates its question bank of MCQs to ensure that they are current and reflect the latest changes in the exam syllabus. This helps candidates stay up-to-date with the exam content and increases their chances of success.